

DT Series Miniature Double Pole Rocker Switches

NEW!



Features/Benefits

- Illuminated versions available
- Double pole switching in miniature package
- Snap-in mounting
- RoHS compliant

Typical Applications

- Small appliances
- Computers and peripherals
- Medical instrumentation



Models Available

Specifications

CONTACT RATING:

UL/CSA: 8 AMPS @ 125 VAC, 4 AMPS @ 250 VAC

VDE: 10 AMPS @ 125 VAC, 6 AMPS @ 250 VAC.

QH version: 16 AMPS @ 125 VAC, 10 AMPS @ 250 VAC

ELECTRICAL LIFE: 10,000 make and break cycles at full load.

INSULATION RESISTANCE: 10⁸ Ω min.

DIELECTRIC STRENGTH: 1,500 VRMS @ sea level.

OPERATING TEMPERATURE: -20°C to +85°C

Materials

HOUSING AND ACTUATOR: 6/6 nylon (UL94V-2), black, matte finish.

ILLUMINATED ACTUATOR: Polycarbonate, matte finish.

CENTER CONTACTS: Silver plated, copper alloy.

END CONTACTS: Silver plated AgCdo.

ALL TERMINALS: Silver plated, copper alloy.

NOTE: For the latest information regarding RoHS compliance, please go to: www.ittcannon.com/rohs.

NOTE: Specifications and materials listed above are for switches with standard options. For information on specific and custom switches, consult Customer Service Center.

Build-A-Switch

To order, simply select desired option from each category and place in the appropriate box. Available options are shown and described on pages H-67 through H-70. For additional options not shown in catalog, consult Customer Service Center.

<p>Switch Function</p> <p>DT12 SPST On-None-Off</p> <p>DT22 DPST On-None-Off</p>	<p>Actuator</p> <p>J1 Rocker</p> <p>J2 Two-tone rocker</p> <p>J3 Illuminated rocker</p>	<p>Actuator Color</p> <p>2 Black</p> <p>1 White</p> <p>3 Red</p> <p>R Red, illuminated</p> <p>A Amber, illuminated</p> <p>G Green, illuminated</p>	<p>Mounting Style/Color</p> <p>S2 Snap-in, black</p> <p>S1 Snap-in, white</p> <p>B2 Recessed snap-in bracket, black</p> <p>G2 Guard, black</p>	<p>Termination</p> <p>15 .187" quick connect</p> <p>02 PC Thru-hole</p> <p>A Right angle, PC thru-hole</p>	<p>Actuator Marking</p> <p>(NONE) No marking</p> <p>D ON-OFF</p> <p>H "O I" - international ON-OFF</p> <p>N Large dot</p> <p>P "O -" international ON-OFF</p>	<p>Contact Rating</p> <p>QA Silver (UL/CSA)</p> <p>QF Silver (VDE)*</p> <p>QH Silver (High current)*</p>	<p>Lamp Rating</p> <p>(NONE) No lamp</p> <p>7 125 VAC neon</p> <p>8 250 VAC neon</p>
---	---	---	---	--	---	--	--

* QF available with termination 15 only.

Rocker



Dimensions are shown: Inch (mm)
Specifications and dimensions subject to change

DT Series Miniature Double Pole Rocker Switches

SWITCH FUNCTION

NO. POLES	MODEL NO.	SWITCH FUNCTION		CONNECTED TERMINALS		SCHEMATIC
DP	DT12	ON	ON	2-3	2-1	 For Illuminated Versions
	DT22	ON	OFF			 For Illuminated Versions

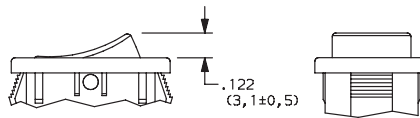
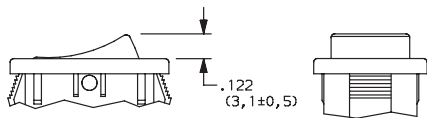
Technical drawings showing dimensions for the DT Series rocker switch:

- Top view: .591 (15,0) total width, .504 (12,8) width between terminals.
- Side view: .827 (21,0) total height, .079 (2,0) actuator height, .551 (14,0) terminal height, .866 (22,0) terminal length.
- Bottom view: .315 (8,0) terminal spacing, .484 (12,3) terminal width, .157 (4,0) terminal offset, .724 (18,4) terminal length, .187 (4,75) terminal offset, .197 (5,0) terminal offset.
- Other dimensions: .098 DIA. (ø2,5) terminal diameter, .122 (3,1±0,5) actuator height, .197 (5,0±0,5) terminal offset, .031 (0,8±0,05) terminal offset.

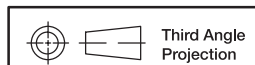
ACTUATOR

- J1** ROCKER
- J3** ILLUMINATED ROCKER

- J2** TWO-TONE ROCKER



Rocker



Dimensions are shown: Inch (mm)
Specifications and dimensions subject to change



H

DT Series Miniature Double Pole Rocker Switches

ACTUATOR COLOR



OPTION CODE	ACTUATOR COLOR
2	BLACK
1	WHITE
3	RED
R	RED, ILLUMINATED
A	AMBER, ILLUMINATED
G	GREEN, ILLUMINATED

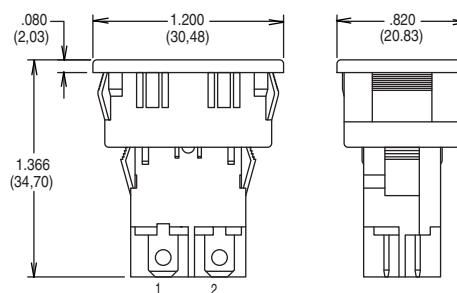
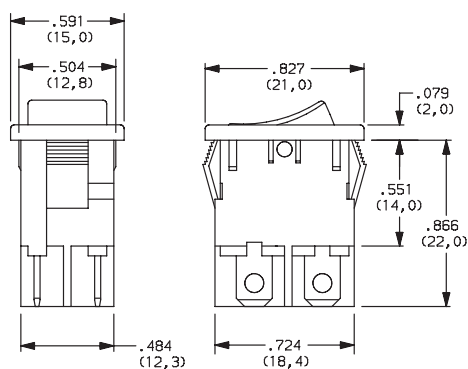
MOUNTING STYLE/COLOR



S2 SNAP-IN, BLACK

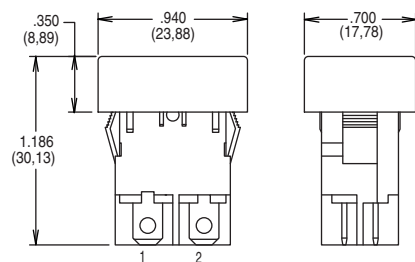
S1 SNAP-IN, WHITE

B2 RECESSED SNAP-IN BRACKET, BLACK

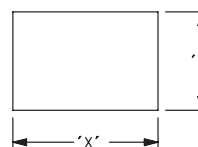


NOTE: Available with DT102 switch functions only.

G2 GUARD, BLACK



PANEL MOUNTING



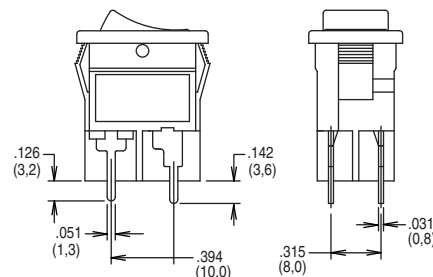
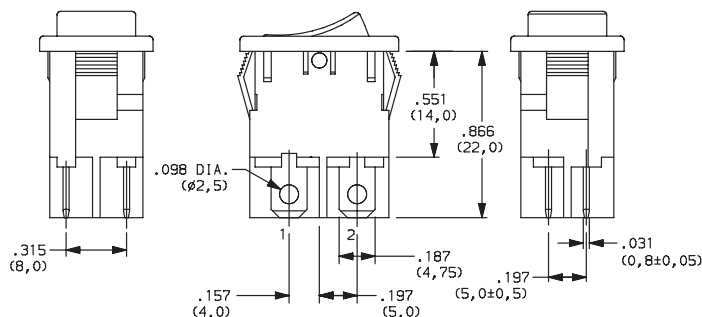
PANEL THICKNESS	"X"	"Y"
0.030-0.049 (0,75-1,25)	0.756-.004 (19,2-0,1)	0.512+.004 (13,0+0,1)
0.049-0.079 (1,25-2,0)	0.764-.004 (19,4-0,1)	0.512+.004 (13,0+0,1)
0.079-0.118 (2,0-3,0)	0.780-.004 (19,8-0,1)	0.512+.004 (13,0+0,1)

TERMINATION



15 .187" QUICK CONNECT

02 PC THRU-HOLE



NOTE: No VDE approval of this option.



Dimensions are shown: Inch (mm)
 Specifications and dimensions subject to change

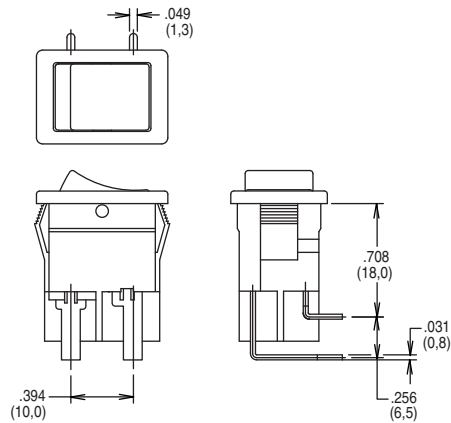
Rocker



DT Series Miniature Double Pole Rocker Switches

TERMINATION

A RIGHT ANGLE, PC THRU-HOLE



NOTE: No VDE approval of this option.

ACTUATOR MARKING

NONE NO MARKING



D ON-OFF



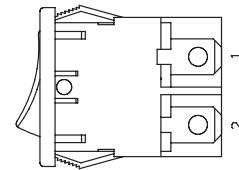
H O-I



N LARGE DOT



P O-



NOTE: Orientation of actuator marking and terminals.

CONTACT MATERIAL

OPTION CODE	RoHS COMPLIANT *	RoHS COMPATIBLE *	CONTACT AND TERMINAL MATERIAL	RATINGS	
				POWER	8 AMPS @ 125 VAC; 4 AMPS @ 250 VAC (UL/CSA)
QA	YES	YES	SILVER	POWER	8 AMPS @ 125 VAC; 4 AMPS @ 250 VAC (UL/CSA)
QF*	YES	YES	SILVER	POWER	10 AMPS @ 125 VAC; 6 AMPS @ 250 VAC (VDE)
QH*	YES	YES	SILVER	POWER	16 AMPS @ 125 VAC; 10 AMPS @ 250 VAC

*1 QF available with termination 15 only.

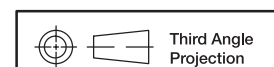
NOTE: For the latest information regarding RoHS compliance, please go to: www.ittcannon.com/rohs.

LAMP RATING

(NONE) NO LAMP

7 125 VAC 33kΩ NEON

8 250 VAC 150kΩ NEON



Dimensions are shown: Inch (mm)
Specifications and dimensions subject to change